

M12 FEMALE 90° LED

PVC 3X0.34 GRAY, UL/CSA 10m

Female 90°

M12, 4-pole

2x LED (PNP)

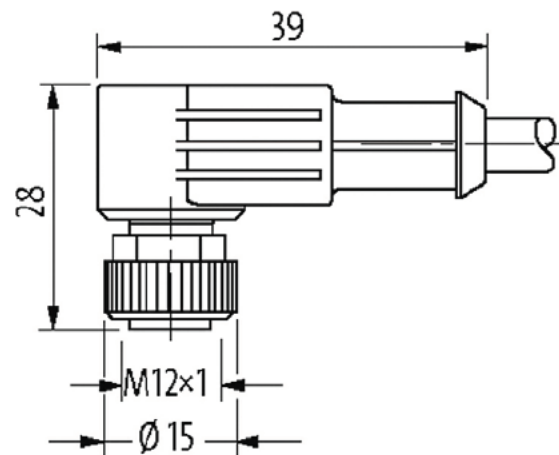
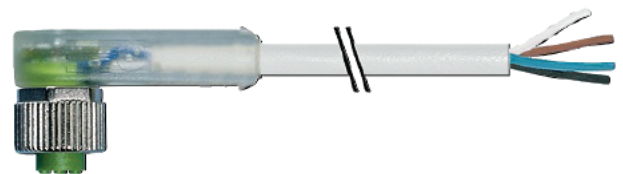
brided

Art-No. 7005 - M12 LED - (plastic hexagonal screw) on request

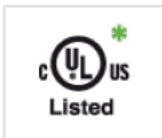
Plastic housings with good resistance against chemicals and oils.

The resistance to aggressive media should be individually tested for your application. Further details on request.

Further cable lengths on request.

[Link to Product](#)**Illustration**

Product may differ from image

Approvals

* only for products with UL/CSA approved cable

cCSAus

Form

Form 240

General data

Standards D N EN 6 076 2 0 (M 2)

Pollution Degree 3

Temperature range 25 +85 °C depending on cable quality

CablesNo./diameter of wires 3 x 0.34 mm²

Wire isolation	PVC (br bl bk)
Material (jacket)	PVC (UL/CSA)
Outer Ø	4.6 mm 5%
Bend radius (moving)	0× outer Ø
Temperature range (fixed)	30 +80 °C
Temperature range (mobile)	5 +80 °C
Cable identification	2 3
Cable Type	(PVC)
Approval (cable)	UL (AWM Style 2464/ 73) CSA
Cable weight [g/m]	34.0
Material (wire)	Cu wire bare
Resistor (core)	max 60 Ω/km (20 °C)
Single wire Ø (core)	0.5 mm
Construction (core)	9× 0.5 mm (multi strand wire class 5)
Diameter (core)	3× 0.34 mm ²
AWG	similar to AWG 22
Material (wire isolation)	PVC
Material property (wire isolation)	CFC cadmium silicone and lead free
Shore hardness (wire isolation)	45 5 D
Wire Ø incl isolation	2.5 mm 5%
Color/numbering of wires	br bk bl
Stranding combination	3 wires twisted
Shield	no
Material (jacket)	PVC
Material property (jacket)	CFC cadmium silicone and lead free
Shore hardness (jacket)	85 5 A
Outer Ø (jacket)	4.6 mm 5%
Color (jacket)	gray
chemical resistance	good resistance to oil gasoline and chemicals
thermal resistance	flame retardant UL 58 VW / CSA FT
Nominal voltage	UL 300 V AC
Test voltage	2000 V AC
Current load capacity	to DIN VDE 0298 4
Temperature range (fixed)	30 +80 °C
Temperature range (mobile)	5 +80 °C
Bend radius (fixed)	5× outer Ø
Bend radius (moving)	0× outer Ø
Jacket Color	gray

Technical Data

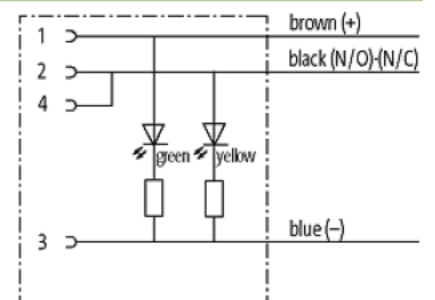
Operating voltage	24 V DC 25%
Operating voltage (only UL listed)	max 30 V DC
Rated surge voltage	0.8 kV
Operating current per contact	max 4 A
Material group	EC 60664 category
LED display	(yellow/green)
Locking of ports	Screw thread (M 2× mm) recommended torque 0.6 Nm self securing
Compression gland	M 2 (SW 3)
Protection	P65 P66K P67 inserted and tightened (EN 60529)
Locking material	Zinc die casting matte nickel plated

Material	PUR
suitable for corrugated tube (internal Ø)	0 mm

Commercial data

country of origin	DE
customs tariff number	85444290
EAN	40488792040 9
eClass	272792 8

Packaging unit

Sketch

Produced in Germany